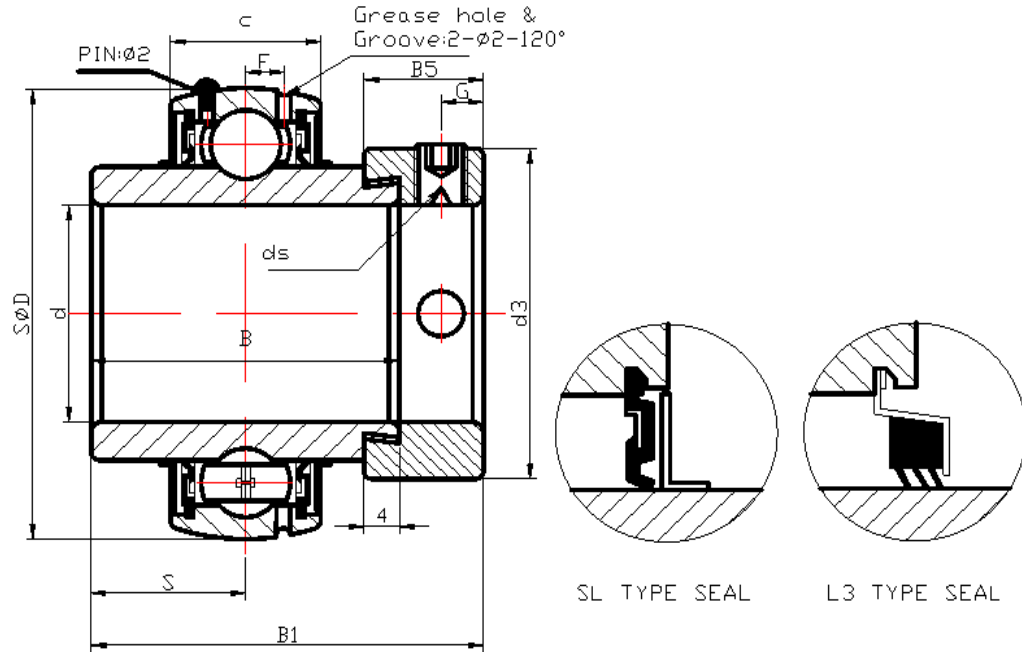


# HMS INDUSTRIES

## HC200-SERIES Eccentric Locking Collar Type



HMS Bearing No.	Bore (in)	Diam(d) (mm)	Dimensions <sup>in, mm</sup>										Dynamic Load Ratings(N)	Static Load Ratings(N)	Weight (kg)	
			D	B1	C	S	B	G	ds	F	B5	d3				
HC201-8	1/2															0.29
HC201		12														0.29
HC202-9	9/16															0.27
HC202-10	5/8															0.26
HC202		15	1.8504	1.720	0.6693	0.673	1.3465	0.189	1/4-28UNF	0.1614	0.531	1.311	12800	6650		0.26
HC203-11	11/16		47	43.7	17	17.1	34.2	4.8	M6*1	4.1	13.5	33.3				0.25
HC203		17														0.25
HC204-12	3/4															0.23
HC204		20														0.23

HC205-13	13/16														0.27
HC205-14	7/8														0.32
HC205-15	15/16		2.0472	1.748	0.6693	0.689	1.3740	0.189	1/4-28UNF	0.1614	0.531	1.4960	1400	7850	0.31
HC205-16	1		52	44.4	17	17.5	34.9	4.8	M6*1	4.1	13.5	38.0			0.29
HC205		25													0.27
HC206-17	1-1/16														0.50
HC206-18	1-1/8														.047
HC206-19	1-3/16		2.4409	1.906	0.7480	0.720	1.4370	0.236	1/4-28UNF	0.2165	0.531	1.7125	19500	11300	0.45
HC206-20	1-1/4		62	48.4	19	18.3	36.5	6	M6*1	5.2	13.5	43.5			0.42
HC206		30													0.45
HC207-20	1-1/4														0.67
HC207-21	1-5/16														0.63
HC207-22	1-3/8		2.8346	2.012	0.7874	0.740	1.4803	0.268	5/16-24UNF	0.2165	0.626	2.0866	25700	15300	0.60
HC207-23	1-7/16		72	51.1	20	18.8	37.6	6.8	M8*1.0	5.5	15.9	53.0			0.57
HC207		35													0.60
HC208-24	1-1/2														0.84
HC208-25	1-9/16		3.1496	2.1260	0.8268	0.7480	1.5945	0.268	5/16-24UNF	0.244	0.689	2.2834	29500	18100	0.80
HC208		40	80	54	21	19	40.5	6.8	M8*1.0	6.2	17.5	58.0			0.79
HC209-26	1-5/8														0.96
HC209-27	1-11/16		3.3465	2.1260	0.8661	0.7480	1.5945	0.268	5/16-24UNF	0.252	0.720	2.500	31600	20600	0.91
HC209-28	1-3/4		85	54	22	19	40.5	6.8	M8*1.0	6.4	18.3	63.5			0.87
HC209		45													0.85
HC210-29	1-13/16														1.14
HC210-30	1-7/8														1.08
HC210-31	1-15/16		3.5433	2.469	0.9449	0.969	1.9370	0.268	3/8-24UNF	0.256	0.720	2.6968	35000	23200	1.02
HC210-32	2		90	62.7	24	24.6	49.2	6.8	M10*1	6.5	18.3	68.5			0.96
HC210		50													0.99
HC211-32	2														1.52
HC211-33	2-1/16														1.44
HC211-34	2-1/8		3.9370	2.811	0.9843	1.094	2.1850	0.315	3/8-24UNF	0.276	0.720	3.000	43500	29200	1.37
HC211-35	2-3/16		100	71.4	25	27.8	55.5	8	M10*1.25	7.0	18.3	76.2			.129

HC211		55														1.32
HC212-36	2-1/4		4.3307 110	3.063 77.8	1.0630 27	1.220 31	2.4370 61.9	0.315 8	3/8-24UNF M10*1.25	0.335 8.5	0.815 20.7	3.2677 83.0	47700	32900		2.04
HC212-37	2-5/16														1.95	
HC212-38	2-3/8														1.90	
HC212-39	2-7/16														1.77	
HC212		60														1.88
HC213-40	2-1/2		4.3307 120	3.374 85.7	1.1024 28	1.343 34.1	2.7008 68.6	0.335 8.5	3/8-24UNF M10*1.25	0.335 8.5	0.878 22.3	3.386 86	57500	40000		2.51
HC213-41	2-9/16														2.40	
HC213		65														2.41
HC214-42	2-5/8		4.9213 125	3.374 85.7	1.1417 29	1.343 34.1	2.7008 68.6	0.335 8	7/16-20UNF M10*1.25	0.350 8.9	0.925 23.5	3.543 90	60800	45000		2.79
HC214-43	2-11/16														2.68	
HC214-44	2-3/4														2.56	
HC214		70														2.55
HC215-45	2-13/16		5.1181 130	3.626 92.1	1.1811 30	1.469 1.469	2.9528 75	0.472 12	7/16-20UNF M12*1.25	0.362 9.2	0.925 23.5	4.016 102	66000	49500		3.14
HC215-46	2-7/8														3.01	
HC215-47	2-15/16														2.88	
HC215-48	3														2.74	
HC215		75														2.84