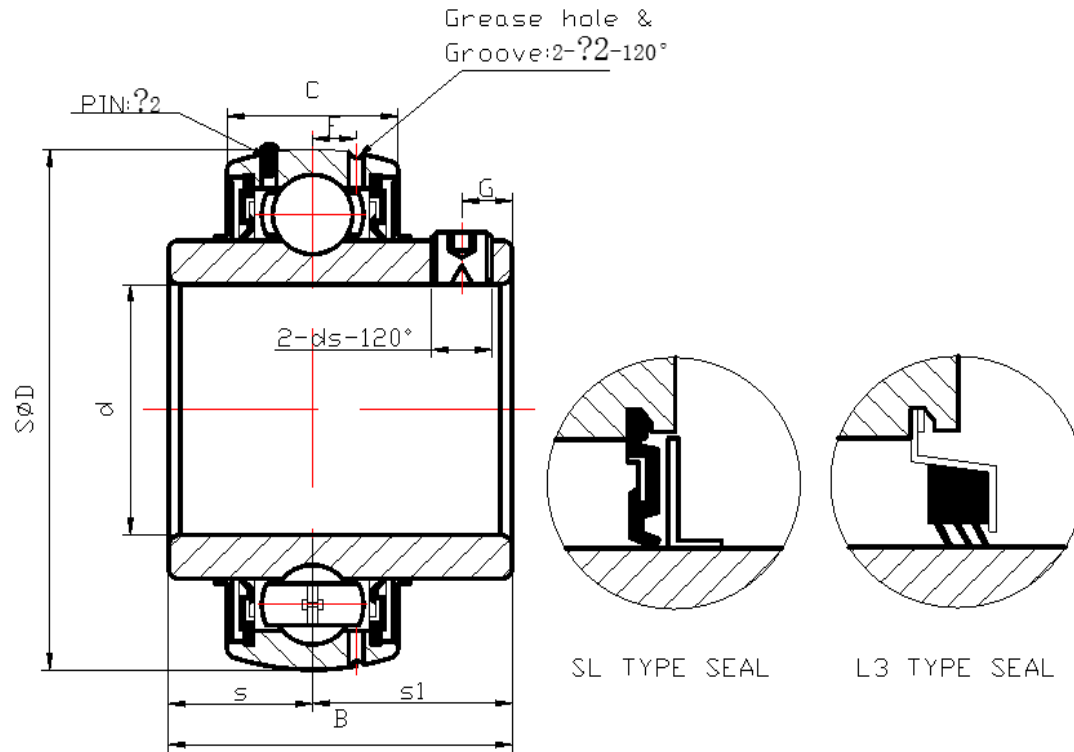


# HMS INDUSTRIES

## UC200-SERIES Set Screw Type



HMS Bearing No.	Bore (in)	Diam(d) (mm)	Dimensions <sup>in.</sup> <sub>mm</sub>								Dynamic Load Ratings(N)	Static Load Ratings(N)	Weight (kg)
			D	B	C	S	S1	G	ds	F			
UC201-8	1/2												0.19
UC201		12											0.20
UC202-9	9/16												0.19
UC202-10	5/8												0.19
UC202		15	1.8504	1.2205	0.6693	0.5000	0.7205	0.189	1/4-28	0.1614	12800	6650	0.19
UC203-11	11/16		47	31	17	12.7	18.3	4.8	M6*1	4.1			0.17
UC203		17											0.18
UC204-12	3/4												0.16

UC204		20												0.16
UC205-13	13/16													0.24
UC205-14	7/8													0.23
UC205-15	15/16		2.0472	1.3426	0.6693	0.5630	0.7795	0.1969	1/4-28	0.1614	1400	7850		0.21
UC205-16	1		52	34.1	17	14.3	19.8	5	M6*1	4.1				0.20
UC205		25												0.20
UC206-17	1 1/16													0.33
UC206-18	1 1/8													0.34
UC206-19	1 3/16		2.4409	1.5000	0.7480	0.6260	0.8740	0.1969	1/4-28	0.2165	19500	11300		0.32
UC206-20	1 1/4		62	38.1	19	15.9	22.2	5	M6*1	5.2				0.31
UC206		30												0.32
UC207-20	1 1/4													0.54
UC207-21	1 5/16													0.51
UC207-22	1 3/8		2.8346	1.6890	0.7874	0.6890	1.0000	0.2756	5/16-24	0.2165	25700	15300		0.48
UC207-23	1 7/16		72	42.9	20	17.5	25.4	7	M8*1.0	5.5				0.45
UC207		35												0.48
UC208-24	1 1/2													0.68
UC208-25	1 9/16		3.1496	1.9370	0.8268	0.7480	1.1890	0.3150	5/16-24	0.244	29500	18100		0.65
UC208		40	80	49.2	21	19	30.2	8	M8*1.0	6.2				0.64
UC209-26	1 5/8													0.78
UC209-27	1 11/16		3.3465	1.9370	0.8661	0.7480	1.1890	0.3150	5/16-24	0.252	31600	20600		0.74
UC209-28	1 3/4		85	49.2	22	19	30.2	8	M8*1.0	6.4				0.70
UC209		45												0.68
UC210-29	1 13/16													0.92
UC210-30	1 7/8													0.87
UC210-31	1 15/16		3.5433	2.0315	0.9449	0.7480	1.2835	0.3937	3/8-24	0.256	35000	23200		0.82
UC210-32	2		90	51.6	24	19	32.6	10	M10*1	6.5				0.78
UC210		50												0.80
UC211-32	2													1.26
UC211-33	2 1/16													1.20
UC211-34	2 1/8		3.9370	2.1900	0.9843	0.8740	1.3150	0.3937	3/8-24	0.276	43500	29200		1.15
UC211-35	2 3/16		100	55.6	25	22.2	33.4	10	M10*1.25	7.0				1.09
UC211		55												1.11
UC212-36	2 1/4													1.67
UC212-37	2 5/16													1.59
UC212-38	2 3/8		4.3307	2.5630	1.0630	1.0000	1.5630	0.3937	3/8-24	0.335	47700	32900		1.52
UC212-39	2 7/16		110	65.1	27	25.4	39.7	10	M10*1.25	8.5				1.45
UC212		60												1.54

UC213-40	2-1/2													1.94
UC213-41	2-9/16		4.3307	2.5630	1.1024	1.000	1.563	0.394	3/8-24UNF	0.335	57500	40000		1.85
UC213		65	120	65.1	28	25.4	39.7	10	M10*1.25	8.5				1.85
UC214-42	2-5/8													2.26
UC214-43	2-11/16		4.9213	2.9370	1.1417	1.189	1.748	0.472	7/16-20UNF	0.350	60800	45000		2.16
UC214-44	2-3/4		125	74.6	29	30.2	44.4	12	M10*1.25	8.9				2.06
UC214		70												2.05
UC215-45	2-13/16													2.46
UC215-46	2-7/8													2.35
UC215-47	2-15/16		5.1181	3.0630	1.1811	1.311	1.752	0.472	7/16-20UNF	0.362	66000	49500		2.24
UC215-48	3		130	77.8	30	33.3	44.5	12	M12*1.25	9.2				2.12
UC215		75												2.21