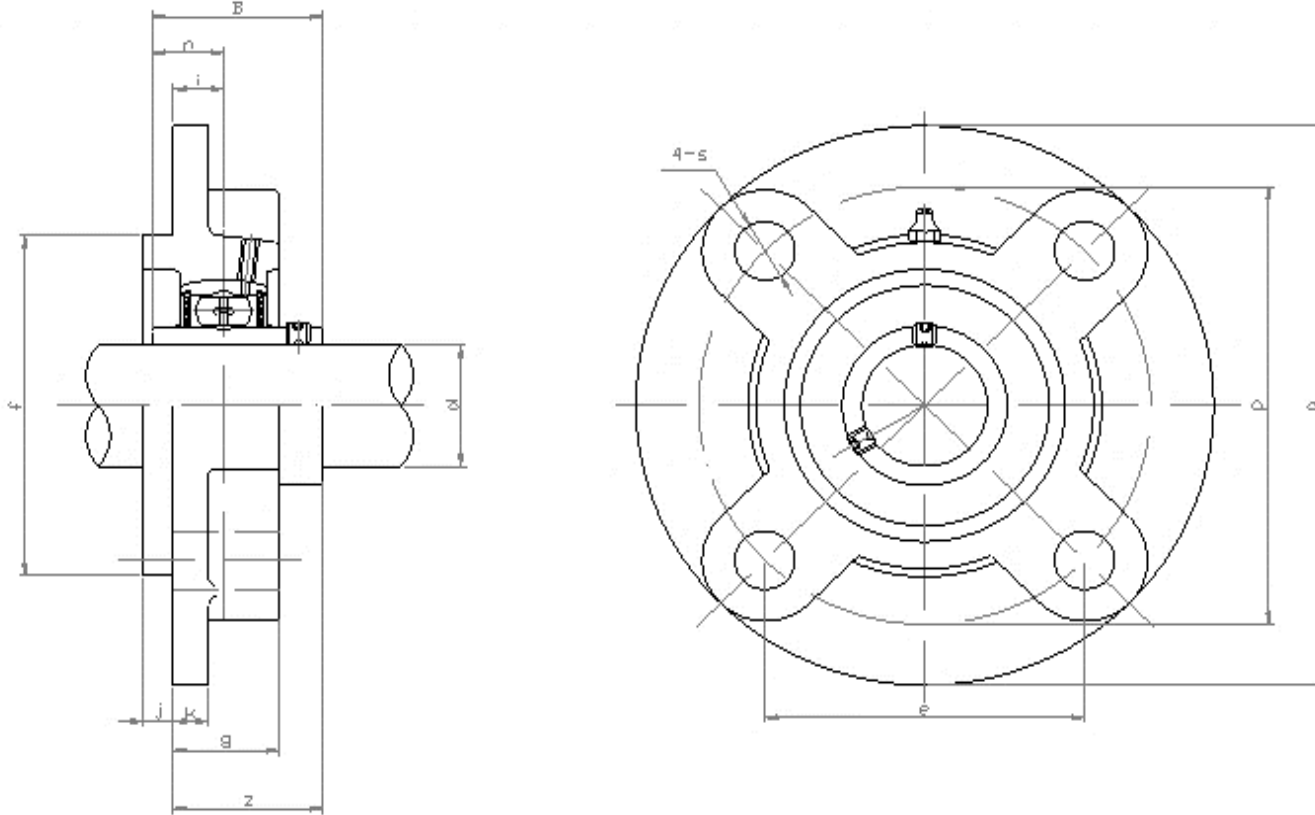


HMS INDUSTRIES

FLANGE CARTRIDGE UNIT - SET SCREW TYPE

UCFC200-SERIES (SS- prefix represents a stainless steel unit)



HMS Unit No.	Dimensions ^{mm} _{in.}													Bolt Size ^{mm} _{in.}	Bearings No.	Housing No.	Weight(kg)
	d	a	p	e	i	S	j	k	g	f	z	B	n				
UCFC201	12	100	78	55.1	10	12	5	7	20.5	62	28.3	31	12.7	M10	UC201	SFC204	0.73
UCFC201-8	1/2	3-15/16	3-5/64	2-11/64	25/64	15/32	13/64	9/32	13/16	2.4409	1-1/8	1.2205	0.500	3/8	UC201-8		0.72
UCFC202	15														UC202	SFC204	0.72
UCFC202-9	9/16	100	78	55.1	10	12	5	7	20.5	62	28.3	31	12.7	M10	UC202-9		
UCFC202-10	5/8	3-15/16	3-5/64	2-11/64	25/64	15/32	13/64	9/32	13/16	2.4409	1-1/8	1.2205	0.500	3/8	UC202-10		

UCFC203	17	100	78	55.1	10	12	5	7	20.5	62	28.3	31	12.7	M10	UC203	SFC204	0.71
UCFC203-11	11/16	3-15/16	3-5/64	2-11/64	25/64	15/32	13/64	9/32	13/16	2.4409	1-1/8	1.2205	0.500	3/8	UC203-11		0.70
UCFC204	20	100	78	55.1	10	12	5	7	20.5	62	28.3	31	12.7	M10	UC204	SFC204	0.69
UCFC204-12	3/4	3-15/16	3-5/64	2-11/64	25/64	15/32	13/64	9/32	13/16	2.4409	1-1/8	1.2205	0.500	3/8	UC204-12		
UCFC205	25														UC205	SFC205	1.00
UCFC205-13	13/16														UC205-13		1.04
UCFC205-14	7/8	115	90	63.6	10	12	6	7	21	70	29.8	34.1	14.3	M10	UC205-14		1.03
UCFC205-15	15/16	3-3/4	3-35/64	2-1/2	25/64	15/32	13/64	9/32	53/64	2.7559	1-11/64	1.3425	0.563	3/8	UC205-15		1.01
UCFC205-16	1														UC205-16		1.00
UCFC206	30														UC206	SFC206	1.30
UCFC206-17	1-1/16														UC206-17		1.32
UCFC206-18	1-1/8	125	100	70.7	10	12	8	8	23	80	32.2	38.1	15.9	M10	UC206-18		1.31
UCFC206-19	1-3/16	4-59/64	3-15/16	2-25/32	25/64	15/32	5/16	5/16	29/32	3.1496	1-17/64	1.500	0.626	3/8	UC206-19		1.30
UCFC206-20	1-1/4														UC206-20		1.29
UCFC207	35														UC207	SFC207	1.81
UCFC207-20	1-1/4														UC207-20		1.87
UCFC207-21	1-5/16	135	110	77.8	11	14	8	9	26	90	36.4	42.9	17.5	M12	UC207-21		1.84
UCFC207-22	1-3/8	5-5/16	4-21/64	3-1/16	7/16	35/64	5/16	23/64	1-1/32	3.1496	1-7/16	1.6890	0.689	7/16	UC207-22		1.81
UCFC207-23	1-7/16														UC207-23		1.78
UCFC208	40														UC208	SFC208	2.14
UCFC208-24	1-1/2	145	120	84.8	11	14	10	9	26	100	41.2	49.2	19	M12	UC208-24		2.18
UCFC208-25	1-9/16	5-45/64	4-23/32	3-11/32	7/16	35/64	25/64	23/64	1-1/32	3.9370	1-5/8	1.9370	0.748	7/16	UC208-25		2.15
UCFC209	45														UC209	SFC209	2.68
UCFC209-26	1-5/8	160	132	93.3	10	16	12	10	26	105	40.2	49.2	19	M14	UC209-26		2.78
UCFC209-27	1-11/16	6-19/64	5-13/64	3-43/64	25/64	5/8	15/32	25/64	1-1/32	4.1339	1-37/64	1.9370	0.748	1/2	UC209-27		2.74
UCFC209-28	1-3/4														UC209-28		2.70
UCFC210	50														UC210	SFC210	2.90
UCFC210-29	1-13/16														UC210-29		3.02
UCFC210-30	1-7/8	165	138	97.6	10	16	12	10	28	110	42.6	51.6	19	M14	UC210-30		2.97
UCFC210-31	1-15/16	6-1/2	5-7/16	3-27/32	25/64	5/8	15/32	25/64	1-7/64	4.3307	1-11/16	2.0315	0.748	1/2	UC210-31		2.92
UCFC210-32	2														UC210-32		2.88

UCFC211	55														UC211		4.01
UCFC211-32	2														UC211-32		4.16
UCFC211-33	2-1/16	185	150	106.1	13	19	12	10	31	125	46.4	55.6	22.2	M16	UC211-33	SFC211	4.10
UCFC211-34	2-1/8	7-9/32	5-29/32	4-3/16	33/64	3/4	15/32	25/64	1-7/32	4.9213	1-53/64	2.1890	0.874	5/8	UC211-34		4.05
UCFC211-35	2-3/16														UC211-35		3.99
UCFC212	60														UC212		4.94
UCFC212-36	2-1/4														UC212-36		5.07
UCFC212-37	2-5/16	195	160	113.1	17	19	12	15	36	135	56.7	65.1	25.4	M16	UC212-37	SFC212	4.99
UCFC212-38	2-3/8	7-11/16	6-19/64	4-29/64	43/64	3/4	15/32	19/32	1-27/64	5.3150	2-15/64	2.5630	1.000	5/8	UC212-38		4.92
UCFC212-39	2-7/16														UC212-39		4.85
UCFC213	65														UC213		5.65
UCFC213-40	2-1/2	205	170	120.2	16	19	14	15	36	145	55.7	65.1	25.4	M16	UC213-40	SFC213	5.74
UCFC213-41	2-9/16	8-5/64	6-11/16	4-47/64	5/8	3/4	35/64	19/32	1-27/64	5.5118	1-3/16	2.5630	1.000	5/8	UC213-41		5.65
UCFC214	70														UC214		6.95
UCFC214-42	2-5/8	215	177	125.1	17	19	14	18	40	150	61.4	74.6	30.2	M16	UC214-42	SFC214	7.16
UCFC214-43	2-11/16	8-15/32	6-31/32	4-59/64	43/64	3/4	35/64	23/32	1-37/64	5.9055	1-13/32	2.9370	1.189		UC214-43		7.06
UCFC214-44	2-3/4													5/8	UC214-44		6.96
UCFC215	75														UC215		7.56
UCFC215-45	2-13/16														UC215-45		7.81
UCFC215-46	2-7/8	220	184	130.1	18	19	16	18	40	160	62.5	77.8	33.3	M16	UC215-46	SFC215	7.70
UCFC215-47	2-15/16	7-7/8	7-1/4	5-1/8	23/32	3/4	5/8	23/32	1-37/64	6.2992	2-15/32	3.063	1.311	5/8	UC215-47		7.59
UCFC215-48	3														UC215-48		7.47