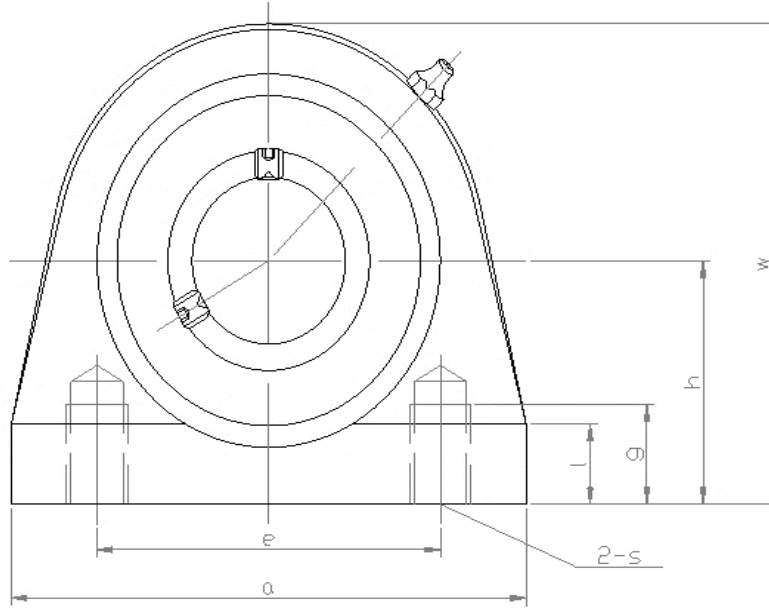
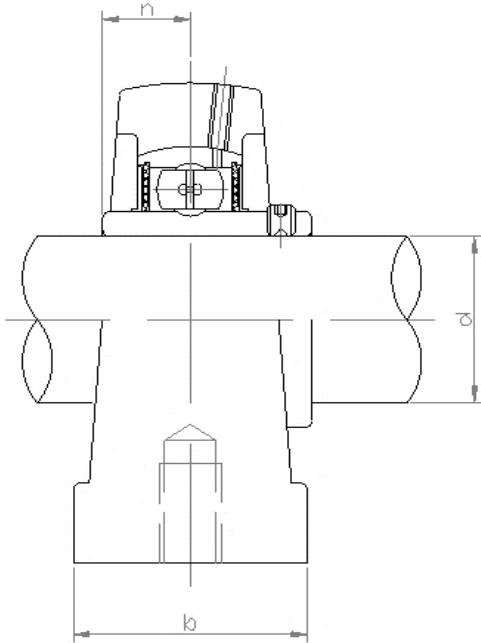


# HMS INDUSTRIES

## TAPE BASE PILLOW BLOCK - SET SCREW TYPE (METRIC)

UCPA200-SERIES (SS- prefix represents a stainless steel unit)



HMS Unit No.	Dimensions <sup>mm</sup> <sub>in.</sub>											Bolt Size <sup>mm</sup> <sub>in.</sub>	Bearings No.	Housing No.	Weight(kg)		
	d	h	a	e	b	s	g	l	w	B	n						
UCPA201	12													UC201	SPA204	0.60	
UCPA201-8	1/2													UC201-8		0.59	
UCPA202	15													UC202		SPA204	0.59
UCPA202-9	9/16													UC202-9			
UCPA202-10	5/8	30.2	76	52	38	M10	11	15	62	31	12.7	M10	UC202-10				
UCPA203	17	1-3/16	3	2-3/64	1-1/2		7/16	19/32	2-7/16	1.2205	0.500		UC203	0.58			
UCPA203-11	11/16												UC203-11	0.57			

UCPA204	20												UC204		0.56
UCPA204-12	3/4												UC204-12		
UCPA205	25												UC205		0.80
UCPA205-13	13/16												UC205-13		0.84
UCPA205-14	7/8	36.5	84	56	38	M10	12	15	72	34.1	14.3	M10	UC205-14	SPA205	0.83
UCPA205-15	15/16	1-7/16	3-5/16	2-13/64	1-1/2		15/32	19/32	2-53/64	1.3425	0.563		UC205-15		0.81
UCPA205-16	1												UC205-16		0.80
UCPA206	30												UC206		1.12
UCPA206-17	1-1/16												UC206-17		1.15
UCPA206-18	1-1/8	42.9	94	66	50	M14	12	18	84	38.1	15.9	M14	UC206-18	SPA206	1.14
UCPA206-19	1-3/16	1-11/16	3-45/64	2-19/32	1-31/32		15/32	45/64	3-5/16	1.500	0.626		UC206-19		1.12
UCPA206-20	1-1/4												UC206-20		1.11
UCPA207	35												UC207		1.46
UCPA207-20	1-1/4												UC207-20		1.52
UCPA207-21	1-5/16	47.6	110	80	55	M14	13	20	95	42.9	17.5	M14	UC207-21	SPA207	1.49
UCPA207-22	1-3/8	1-7/8	4-21/64	3-5/32	2-11/64		33/64	25/32	3-47/64	1.6890	0.689		UC207-22		1.46
UCPA207-23	1-7/16												UC207-23		1.43
UCPA208	40												UC208		1.84
UCPA208-24	1-1/2	49.2	116	84	58	M14	13	20	100	49.2	19	M14	UC208-24	SPA208	1.88
UCPA208-25	1-9/16	1-15/16	4-9/16	3-5/32	2-9/32		33/64	25/32	3-15/16	1.9370	0.748		UC208-25		1.85
UCPA209	45												UC209		2.15
UCPA209-26	1-5/8	54.2	120	90	60	M14	13	25	108	49.2	19	M16	UC209-26	SPA209	2.25
UCPA209-27	1-11/16	2-9/64	4-23/32	3-35/64	2-23/64		33/64	63/64	4-1/4	1.9370	0.748		UC209-27		2.21
UCPA209-28	1-3/4												UC209-28		2.17
UCPA210	50												UC210		2.42
UCPA210-29	1-13/16												UC210-29		2.54
UCPA210-30	1-7/8	57.2	130	94	64	M16	14	25	116	51.6	19	M16	UC210-30	SPA210	2.49
UCPA210-31	1-15/16	2-1/4	5-1/8	3-45/64	2-33/64		35/64	63/64	4-9/16	2.0315	0.748		UC210-31		2.44
UCPA210-32	2												UC210-32		2.40
UCPA211	55												UC211		3.31
UCPA211-32	2												UC211-32		3.46

UCPA211-33	2-1/16	63.5	140	104	66	M16	14	25	125	55.6	22.2	M16	UC211-33	SPA211	3.40
UCPA211-34	2-1/8	2-1/2	5-33/64	4-3/32	2-19/32		35/64	63/64	4-59/64	2.1890	0.874		UC211-34		3.35
UCPA211-35	2-3/16												UC211-35		3.29
UCPA212	60												UC212		4.28
UCPA212-36	2-1/4												UC212-36		4.41
UCPA212-37	2-5/16	69.9	150	114	68	M16	15	25	138	65.1	25.4	M16	UC212-37	SPA212	4.33
UCPA212-38	2-3/8	2-3/4	5-29/32	4-31/64	2-43/64		19/32	63/64	5-7/16	2.5630	1.000		UC212-38		4.26
UCPA212-39	2-7/16												UC212-39		4.19
UCPA213	65												UC213		4.99
UCPA213-40	2-1/2	76.2	160	124	70	M16	15	25	150	65.1	25.4	M16	UC213-40	SPA213	5.08
UCPA213-41	2-9/16	3	6-19/64	4-7/8	2-3/4		19/32	63/64	5-29/32	2.5630	1.000		UC213-41		4.99