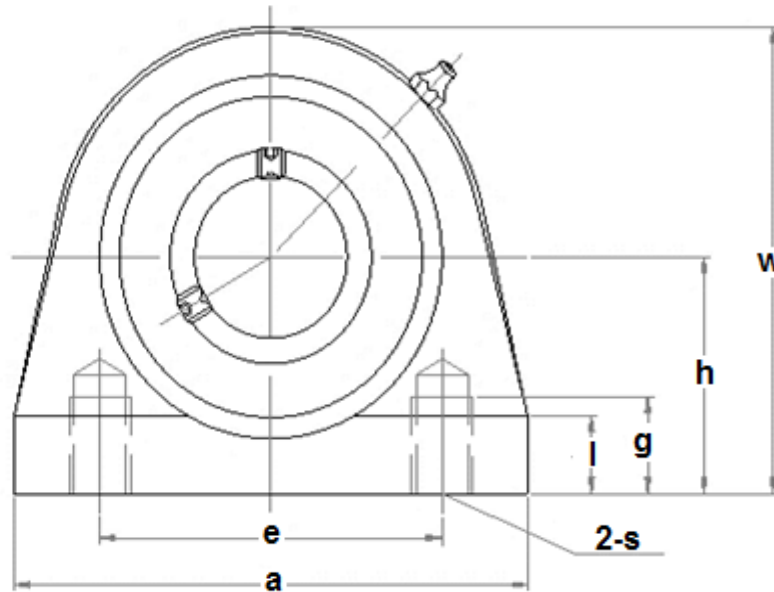
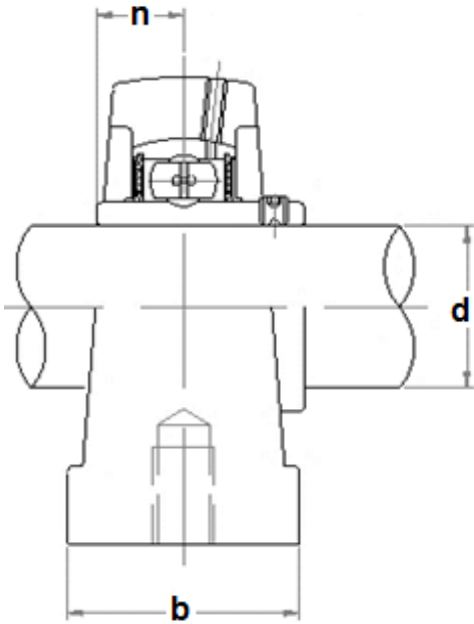


HMS INDUSTRIES

TAPE BASE PILLOW BLOCK - SET SCREW TYPE (INCH)

UCTB200-SERIES (SS- prefix represents a stainless steel unit)



HMS Unit No.	Dimensions ^{mm} _{in.}											Bolt Size ^{mm} _{in.}	Bearings No.	Housing No.	Weight(kg)	
	d	h	a	e	b	s	g	l	w	B	n					
UCTB201	12										31	12.7	3/8-16	UC201	STB204	0.72
UCTB201-8	1/2									1.2205	0.500	UC201-8				
UCTB202	15										31	12.7		UC202		
UCTB202-9	9/16	33.3 1.311	73 2.874	50.8 2.000	38 1.496	3/8-16	8 0.315	12.7 0.500	65 2.559	1.2205	0.500	UC202-9				
UCTB202-10	5/8											UC202-10				
UCTB203	17											UC203				
UCTB203-11	11/16									1.2205	0.500	UC203-11				
UCTB204	20										31	12.7		UC204		
UCTB204-12	3/4									1.2205	0.500	UC204-12				

UCTB205	25												UC205		
UCTB205-13	13/16												UC205-13		
UCTB205-14	7/8	36.5	76	50.8	38	3/8-16	12	12.7	71	34.1	14.3	3/8-16	UC205-14	STB205	0.93
UCTB205-15	15/16	1.437	2.992	2.000	1.496		0.472	0.500	2.795	1.3425	0.563		UC205-15		
UCTB205-16	1												UC205-16		
UCTB206	30												UC206		
UCTB206-17	1-1/16												UC206-17		
UCTB206-18	1-1/8	42.9	102	76.2	38	7/16-14	12	16	87	38.1	15.9	7/16-14	UC206-18	STB206	1.41
UCTB206-19	1-3/16	1.689	4.016	3.000	1.496		0.472	0.630	3.425	1.500	0.626		UC206-19		
UCTB206-20	1-1/4												UC206-20		
UCTB207	35												UC207		
UCTB207-20	1-1/4												UC207-20		
UCTB207-21	1-5/16	47.6	108	82.6	48	1/2-13	12	19	95	42.9	17.5	1/2-13	UC207-21	STB207	1.86
UCTB207-22	1-3/8	1.874	4.252	3.252	1.890		0.472	0.748	3.740	1.6890	0.689		UC207-22		
UCTB207-23	1-7/16												UC207-23		
UCTB208	40												UC208		
UCTB208-24	1-1/2	49.2	117	88.9	48	1/2-13	12	19	100	49.2	19	1/2-13	UC208-24	STB208	2.33
UCTB208-25	1-9/16	1.937	4.606	3.500	1.890		0.472	0.748	3.937	1.9370	0.748		UC208-25		
UCTB209	45												UC209		
UCTB209-26	1-5/8	54	127	95.3	51	1/2-13	12	19	108	49.2	19	1/2-13	UC209-26	STB209	2.79
UCTB209-27	1-11/16	2.126	5.000	3.752	2.008		0.472	0.748	4.252	1.9370	0.748		UC209-27		
UCTB209-28	1-3/4												UC209-28		
UCTB210	50												UC210		
UCTB210-29	1-13/16												UC210-29		
UCTB210-30	1-7/8	57.2	140	101.6	51	5/8-11	14	22	117.5	51.6	19	5/8-11	UC210-30	STB210	3.18
UCTB210-31	1-15/16	2.252	5.512	4.000	2.008		0.551	0.866	4.626	2.0315	0.748		UC210-31		
UCTB210-32	2												UC210-32		