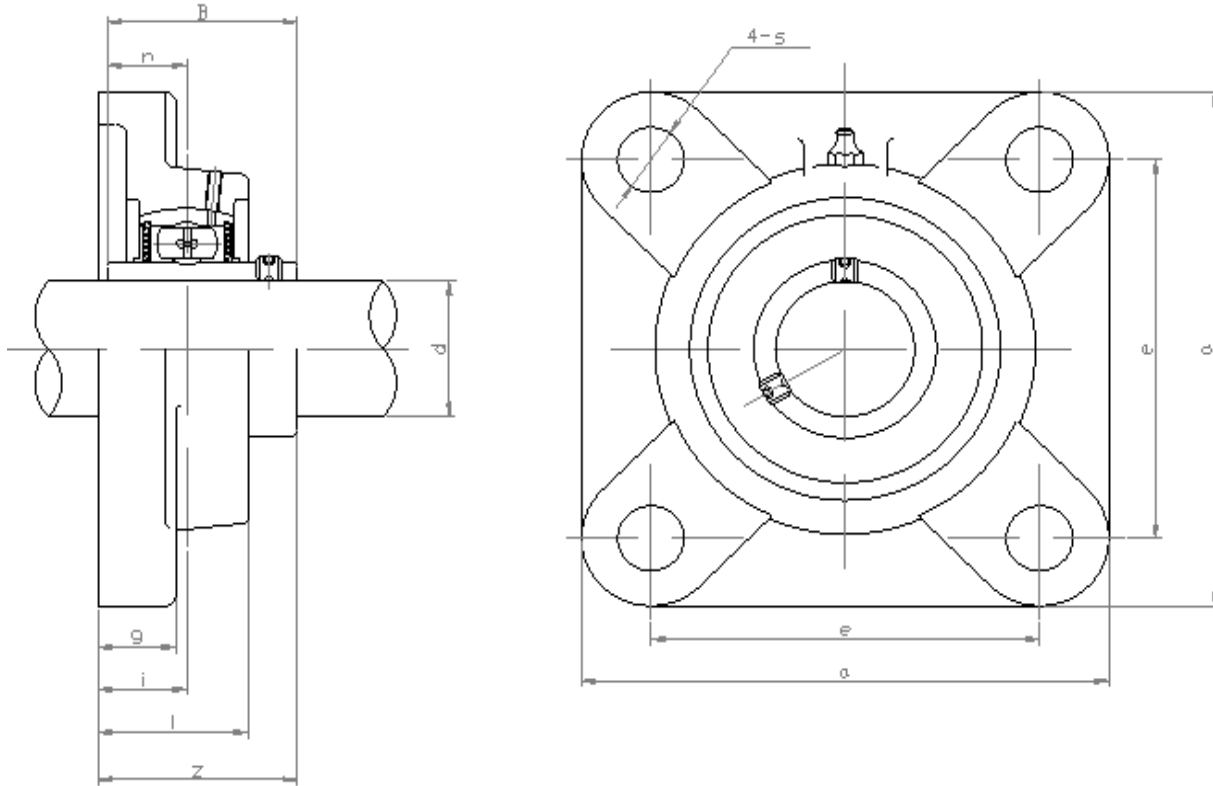


HMS INDUSTRIES

4-BOLT FLANGE - SET SCREW TYPE

UCF200-SERIES (SS- prefix represents a stainless steel unit)



HMS Unit No.	Dimensions ^{mm} _{in.}										Bolt Size ^{mm} _{in.}	Bearings No.	Housing No.	Weight(kg)
	d	a	e	i	g	l	S	Z	B	n				
UCF201	12	86	64	15	12	25.5	12	33.3	31	12.7	M10	UC201	SF204	0.60
UCF201-8	1/2	3-3/8	2-33/64	19/32	15/32	1	15/32	1-5/16	1.2205	0.500	3/8			UC201-8
UCF202	15											UC202	SF204	0.59
UCF202-9	9/16	86	64	15	12	25.5	12	33.3	31	12.7	M10			
UCF202-10	5/8	3-3/8	2-33/64	19/32	15/32	1	15/32	1-5/16	1.2205	0.500	3/8			

UCF203	17	86	64	15	12	25.5	12	33.3	31	12.7	M10	UC203	SF204	0.58
UCF203-11	11/16	3-3/8	2-33/64	19/32	15/32	1	15/32	1-5/16	1.2205	0.500	3/8	UC203-11	SF204	0.57
UCF204	20	86	64	15	12	25.5	12	33.3	31	12.7	M10	UC204	SF204	0.56
UCF204-12	3/4	3-3/8	2-33/64	19/32	15/32	1	15/32	1-5/16	1.2205	0.500	3/8	UC204-12	SF204	0.56
UCF205	25											UC205		0.80
UCF205-13	13/16											UC205-13		0.84
UCF205-14	7/8	95	70	16	14	27	12	35.8	34.1	14.3	M10	UC205-14	SF205	0.83
UCF205-15	15/16	3-3/4	2-3/4	5/8	35/64	1-1/16	15/32	1-13/32	1.3425	0.563	3/8	UC205-15	SF205	0.81
UCF205-16	1											UC205-16	SF205	0.80
UCF206	30											UC206		1.12
UCF206-17	1-1/16											UC206-17		1.15
UCF206-18	1-1/8	108	83	18	14	31	12	40.2	38.1	15.9	M10	UC206-18	SF206	1.14
UCF206-19	1-3/16	4-1/4	3-17/64	45/64	35/64	1-7/32	15/32	1-19/32	1.500	0.626	3/8	UC206-19	SF206	1.12
UCF206-20	1-1/4											UC206-20	SF206	1.11
UCF207	35											UC207		1.46
UCF207-20	1-1/4											UC207-20		1.52
UCF207-21	1-5/16	117	92	19	16	34	14	44.4	42.9	17.5	M12	UC207-21	SF207	1.49
UCF207-22	1-3/8	4-39/64	3-5/8	3/4	5/8	1-11/32	35/64	1-3/4	1.6890	0.689	7/16	UC207-22	SF207	1.46
UCF207-23	1-7/16											UC207-23	SF207	1.43
UCF208	40											UC208		1.84
UCF208-24	1-1/2	130	102	21	16	36	16	51.2	49.2	19	M14	UC208-24	SF208	1.88
UCF208-25	1-9/16	5-1/8	4-1/64	53/64	5/8	1-27/64	5/8	2-1/64	1.9370	0.748	1/2	UC208-25	SF208	1.85
UCF209	45											UC209		2.15
UCF209-26	1-5/8	137	105	22	18	38	16	52.2	49.2	19	M14	UC209-26	SF209	2.25
UCF209-27	1-11/16	5-13/32	4-9/64	55/64	23/32	1-1/2	5/8	2-1/16	1.9370	0.748	1/2	UC209-27	SF209	2.21
UCF209-28	1-3/4											UC209-28	SF209	2.17
UCF210	50											UC210		2.42
UCF210-29	1-13/16											UC210-29		2.54
UCF210-30	1-7/8	143	111	22	18	40	16	54.6	51.6	19	M14	UC210-30	SF210	2.49
UCF210-31	1-15/16	5-5/8	4-3/8	55/64	23/32	1-37/64	5/8	2-5/32	2.0315	0.748	1/2	UC210-31	SF210	2.44
UCF210-32	2											UC210-32	SF210	2.40
UCF211	55											UC211		3.31
UCF211-32	2											UC211-32		3.46
UCF211-33	2-1/16	162	130	25	20	43	19	58.4	55.6	22.2	M164	UC211-33	SF211	3.4

UCF211-34	2-1/8	6-3/8	5-1/8	63/64	25/32	1-11/16	3/4	1-5/16	2.1890	0.874	1/2	UC211-34		3.35
UCF211-35	2-3/16											UC211-35		3.29
UCF212	60											UC212		4.28
UCF212-36	2-1/4											UC212-36		4.41
UCF212-37	2-5/16	175	143	29	20	48	19	68.7	65.1	25.4	M16	UC212-37	SF212	4.33
UCF212-38	2-3/8	6-57/64	5-5/8	1-9/64	25/32	1-7/8	3/4	2-45/64	2.5630	1.000	5/8	UC212-38		4.26
UCF212-39	2-7/16											UC212-39		4.19
UCF213	65											UC213		4.99
UCF213-40	2-1/2	187	149	30	22	50	19	69.7	65.1	25.4	M16	UC213-40	SF213	5.08
UCF213-41	2-9/16	7-23/64	5-55/64	1-3/16	55/64	1-31/32	3/4	2-3/4	2.5630	1.000	5/8	UC213-41		4.99
UCF214	70											UC214		5.85
UCF214-42	2-5/8	193	152	31	22	54	19	75.4	74.6	30.2	M16	UC214-42	SF214	6.06
UCF214-43	2-11/16	7-19/32	5-63/64	1-7/32	55/64	2-1/8	3/4	2-31/32	2.9370	1.189	5/8	UC214-43		5.96
UCF214-44	2-3/4											UC214-44		5.86
UCF215	75											UC215		6.91
UCF215-45	2-13/16											UC215-45		7.16
UCF215-46	2-7/8	200	159	34	22	56	19	78.5	77.8	33.3	M16	UC215-46	SF215	7.05
UCF215-47	2-15/16	7-7/8	6-17/64	1-11/32	55/64	2-7/32	3/4	3-3/32	3.063	1.311	5/8	UC215-47		6.94
UCF215-48	3											UC215-48		6.82