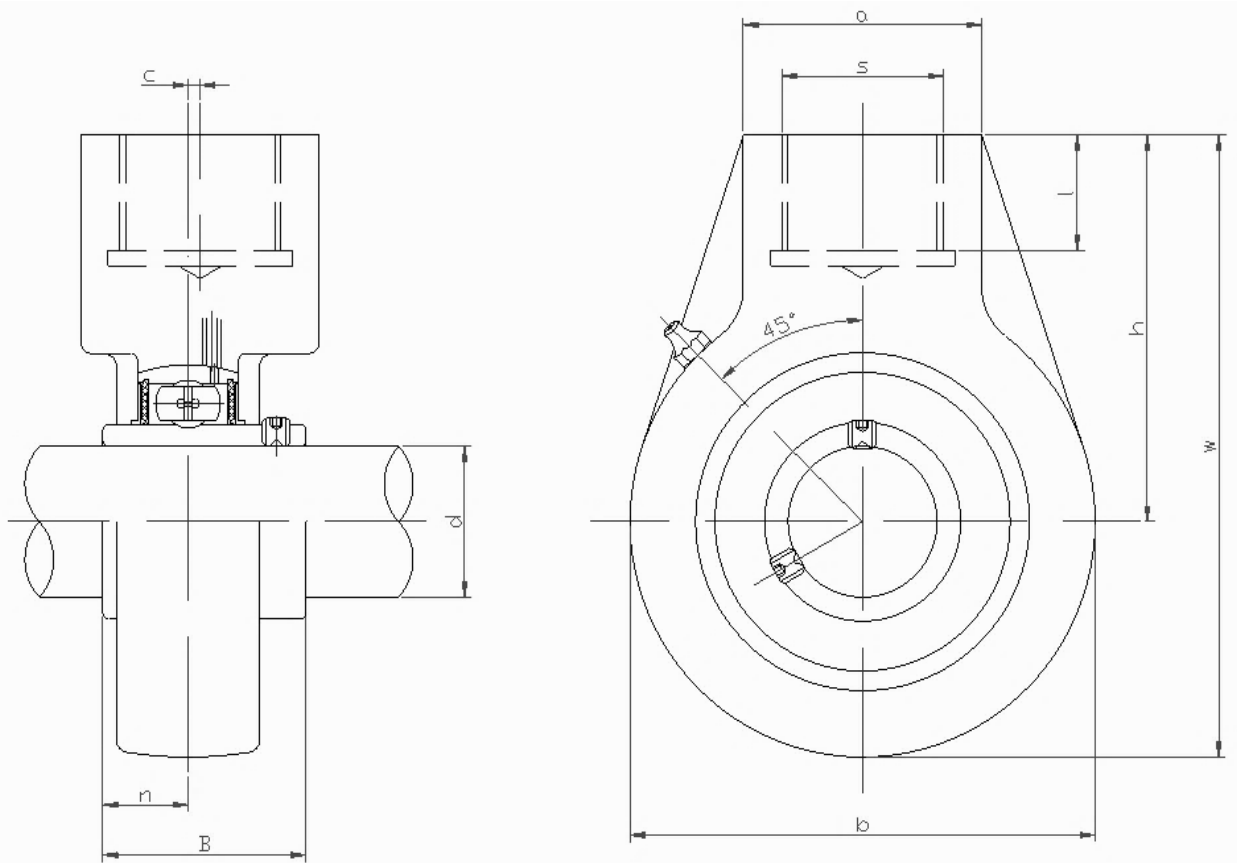


# HMS INDUSTRIES

## HANGER UNIT - SET SCREW TYPE

UCHA200-SERIES (SS- prefix represents a stainless steel unit)



HMS Unit No.	Dimensions <sup>mm</sup> <sub>in.</sub>										Bearings No.	Housing No.	Weight(kg)
	d	h	w	b	c	a	S	l	B	n			
UCHA201	12	64	96	64	0	40	G-3/4	33.3	31	12.7	UC201	SHA204	0.73
UCP201-8	1/2	2.520	3.780	2.520	0.000	1.575	G-3/4	1-5/16	1.2205	0.500	UC201-8		0.72
UCHA202	15	64	96	64	0	40	G-3/4	33.3	31	12.7	UC202	SHA204	0.72
UCHA202-9	9/16	64	96	64	0	40	G-3/4	33.3	31	12.7	UC202-9		
UCHA202-10	5/8	2.520	3.780	2.520	0.000	1.575	G-3/4	1-5/16	1.2205	0.500	UC202-10		

UCHA203	17	64	96	64	0	40	G-3/4	33.3	31	12.7	UC203	SHA204	0.71
UCHA203-11	11/16	2.520	3.780	2.520	0.000	1.575		1-5/16	1.2205	0.500	UC203-11		0.70
UCHA204	20	64	96	64	0	40	G-3/4	33.3	31	12.7	UC204	SHA204	0.69
UCHA204-12	3/4	2.520	3.780	2.520	0.000	1.575		1-5/16	1.2205	0.500	UC204-12		
UCHA205	25										UC205		0.83
UCHA205-13	13/16										UC205-13		0.87
UCHA205-14	7/8	64	103	78	0	40	G-3/4	35.8	34.1	14.3	UC205-14	SHA205	0.86
UCHA205-15	15/16	2.520	4.055	3.071	0.000	1.575		1-13/32	1.3425	0.563	UC205-15		0.84
UCHA205-16	1										UC205-16		0.83
UCHA206	30										UC206		0.83
UCHA206-17	1-1/16										UC206-17		0.86
UCHA206-18	1-1/8	64	103	78	0	40	G-3/4	40.2	38.1	15.9	UC206-18	SHA206	0.85
UCHA206-19	1-3/16	2.520	4.055	3.071	0.000	1.575		1-19/32	1.500	0.626	UC206-19		0.83
UCHA206-20	1-1/4										UC206-20		0.82
UCHA207	35										UC207		1.16
UCHA207-20	1-1/4										UC207-20		1.22
UCHA207-21	1-5/16	70	116	92	0	40	G-3/4	44.4	42.9	17.5	UC207-21	SHA207	1.19
UCHA207-22	1-3/8	2.756	4.567	3.622	0.000	1.575		1-3/4	1.6890	0.689	UC207-22		1.16
UCHA207-23	1-7/16										UC207-23		1.13
UCHA208	40										UC208		1.32
UCHA208-24	1-1/2	73	121	96	2	40	G-3/4	51.2	49.2	19	UC208-24	SHA208	1.36
UCHA208-25	1-9/16	2.874	4.764	3.780	0.079	1.575		2-1/64	1.9370	0.748	UC208-25		1.33
UCHA209	45										UC209		1.92
UCHA209-26	1-5/8	82	136	108	5	48	G-1	52.2	49.2	19	UC209-26	SHA209	2.02
UCHA209-27	1-11/16	3.228	5.354	4.252	0.197	1.890		2-1/16	1.9370	0.748	UC209-27		1.98
UCHA209-28	1-3/4										UC209-28		1.94
UCHA210	50										UC210		1.90
UCHA210-29	1-13/16										UC210-29		2.02
UCHA210-30	1-7/8	83	142	118	5	48	G-1	54.6	51.6	19	UC210-30	SHA210	1.97
UCHA210-31	1-15/16	3.268	5.591	4.646	0.197	1.890		2-5/32	2.0315	0.748	UC210-31		1.92
UCHA210-32	2										UC210-32		1.88
UCHA211	55										UC211		2.61
UCHA211-32	2										UC211-32		2.76
UCHA211-33	2-1/16	87	150	126	7	60	G1-1/4	58.4	55.6	22.2	UC211-33	SHA211	2.70
UCHA211-34	2-1/8	3.425	5.906	4.961	0.276	2.362		1-5/16	2.1890	0.874	UC211-34		2.65
UCHA211-35	2-3/16										UC211-35		2.59
UCHA212	60										UC212		3.54
UCHA212-36	2-1/4										UC212-36		3.67

UCHA212-37	2-5/16	102	173	142	9	60	G1-1/4	68.7	65.1	25.4	UC212-37	SHA212	3.59
UCHA212-38	2-3/8	4.016	6.811	5.591	0.354	2.362		2-45/64	2.5630	1.000	UC212-38		3.52
UCHA212-39	2-7/16										UC212-39		3.54
UCHA213	65										UC213	SHA213	5.80
UCHA213-40	2-1/2	117	200	166	9.5	70	G1-1/2	69.7	65.1	25.4	UC213-40		5.89
UCHA213-41	2-9/16	4.606	7.874	6.535	0.374	2.756		2-3/4	2.5630	1.000	UC213-41		5.80
UCHA214	70										UC214	SHA214	5.67
UCHA214-42	2-5/8	117	200	166	9.5	70	G1-1/2	75.4	74.6	30.2	UC214-42		
UCHA214-43	2-11/16	4.606	7.874	6.535	0.374	2.756		2-31/32	2.9370	1.189	UC214-43		
UCHA214-44	2-3/4										UC214-44		
UCHA215	75										UC215	SHA215	5.58
UCHA215-45	2-13/16										UC215-45		
UCHA215-46	2-7/8	117	200	166	9.5	70	G1-1/2	78.5	77.8	33.3	UC215-46		
UCHA215-47	2-15/16	4.606	7.874	6.535	0.374	2.756		3-3/32	3.063	1.311	UC215-47		
UCHA215-48	3										UC215-48		